

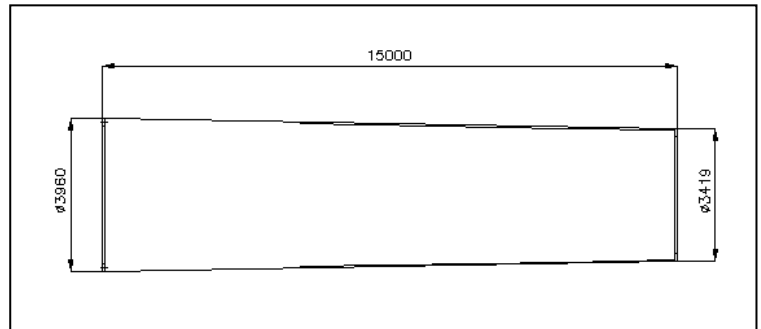
Dimensions and weights for N47

Tower: Type 65 m hub height

The tower is in three sections, so each section is defined as Bot. sec, Mid. sec and Top. sec.

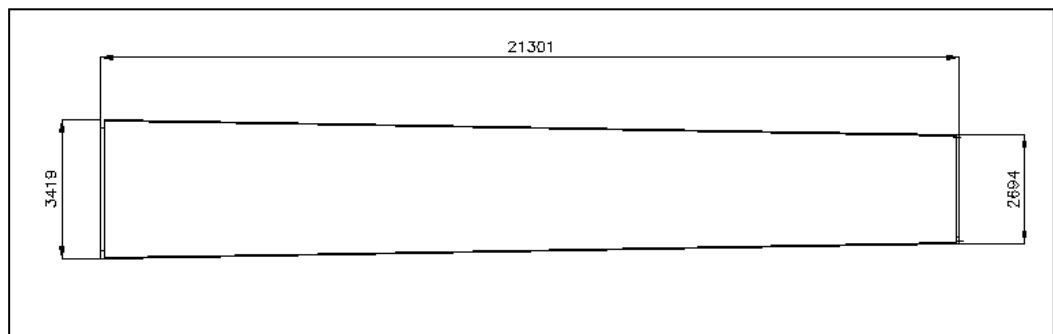
Bot. Sec.

Bottom flange: $\varnothing 3960\text{mm}/155,9''$
 Lower flange: $\varnothing 3419\text{mm}/134,6''$
 Length of sec.: $15000\text{mm}/590,55''$
 Weight of sec.: $33.500\text{Kg}/73854,85\text{ lb}$
 /36,93 short ton



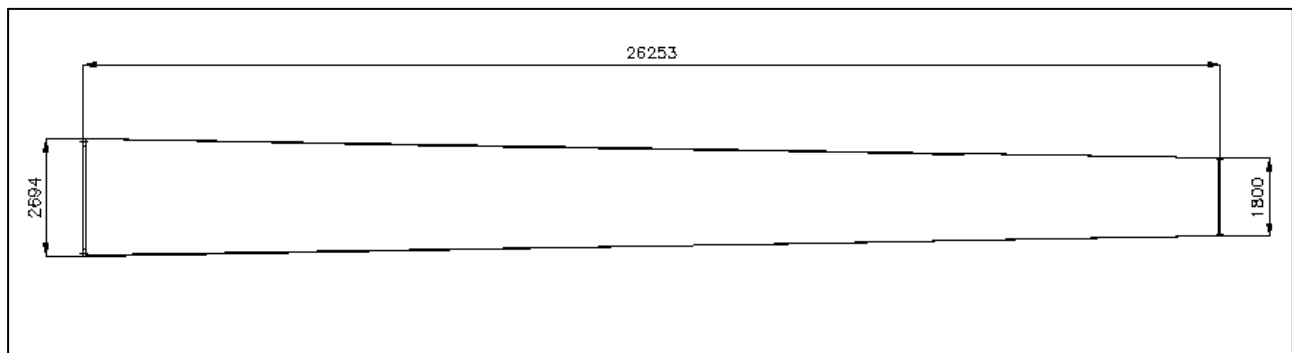
Mid. Sec.

Lower flange: $\varnothing 3419\text{mm}/134,6''$
 Mid flange: $\varnothing 2694\text{mm}/106,06''$
 Length of sec.: $21301\text{mm}/838,62''$
 Weight of sec.: $29500\text{Kg}/65121,41\text{ lb}/32,52\text{ short ton}$



Top. Sec.

Mid flange: $\varnothing 3419\text{mm}/134,61''$
 Top flange: $\varnothing 1800\text{mm}/70,87''$
 Length of sec.: $26253\text{mm}/1033,58''$
 Weight of sec.: $18000\text{Kg}/39683,2\text{ lb}/19,84\text{ short ton}$

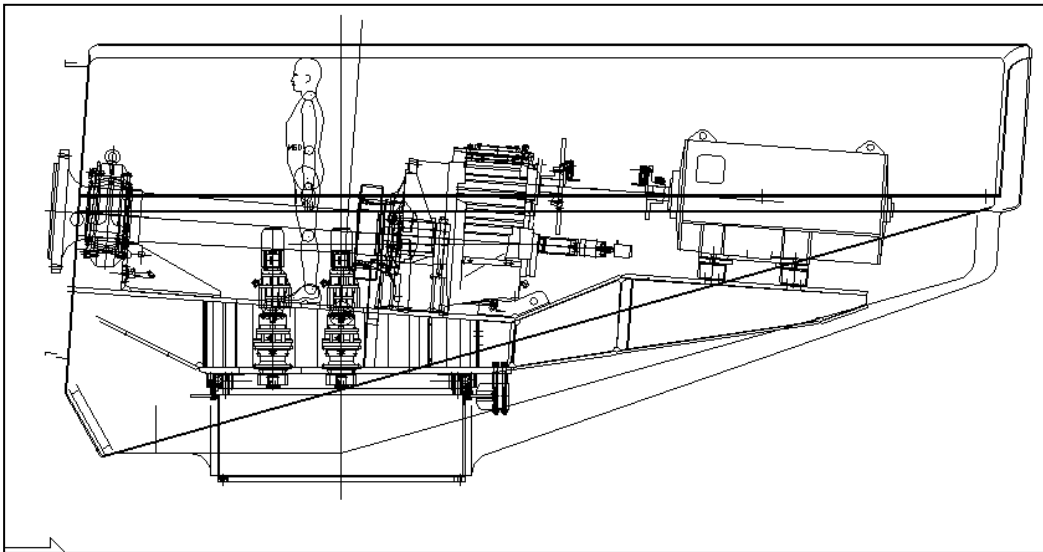


Nacelle:

The nacelle is mounted with main bearing, mainframe, main axle, gearbox, generator, top unit, yaw bearing, yaw drive and various. small parts.

Dimension on nacelle:

Width: 3000mm/118,11"
Height: 3140mm/123,62"
Length: 7100mm/279,53"
Weight: 25000kg/27,56 short ton



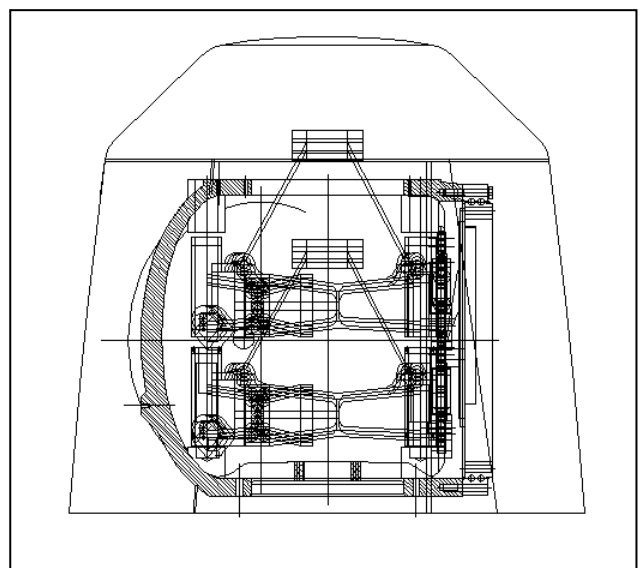
The nacelle is mounted on a transport rack

Hub:

The hub is mounted with blade bearings, pitch system and spinner.

Dimension on Hub:
Diameter: \varnothing 2400mm/94,49"
Height: 1600mm/62,99"
Weight: ca.5000kg/ 5,51 short ton

The hub is also mounted on a transport rack.



Blades:

Blade type LM21.

The blades are transported as sets, which means 3 pcs.

Dimension on blades:

Length: 21000mm/826,77"

Weight: 2250kg/blade/2,48 short ton

Hub extender:

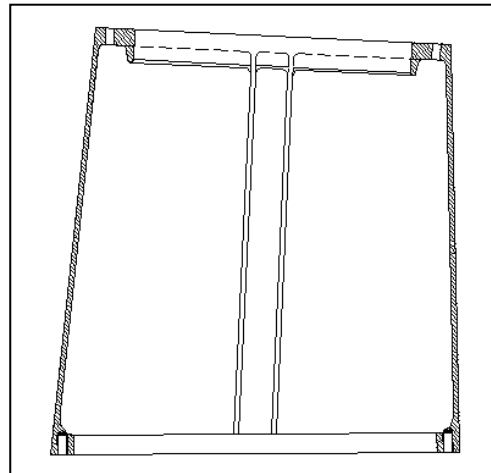
The hub extenders are also transported as set 3 pcs.

Dimension on Hub extenders:

Diameter: \varnothing 1300mm/51,18"

Height: 1350mm/53,15

Weight: 965kg/Extender/1,06 short ton



Controller cupboard

Weight for the controller cupboard is 500kg/0,55 short ton.

The dim. for the cupboard: Height 2000mm/78,74"
 Width 400mm/15,75"
 Length 2000mm/78,74"

Pipe extender

Dim and weight for the pipe extender 3 pcs. per turbine:

Width (round): \varnothing 1054mm/41,50"

Height: 500mm/19,69"

Weight/extender: 323kg/712 lb

Bolts, nuts, washers and mounting equipment:

BNW (**B**olts, **N**uts and **W**ashers)

Calculate with 1000kg/1,10 short ton per turbine.

BNW is packed on 2 EUR pallets.

Mounting equipment:

Mounting equipment contains tools, lifting gear and various items.

Calculate with a 20ft container or truck per 2 turbines erected.