

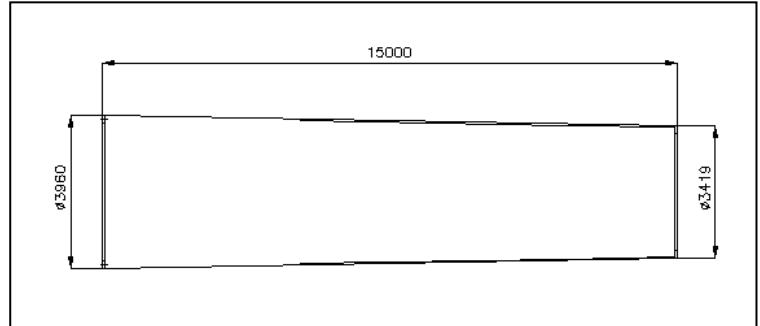
## Dimensions and weights for N47

### Tower: Type 65 m hub height

The tower is in three sections, so each section is defined as Bot. sec, Mid. sec and Top. sec.

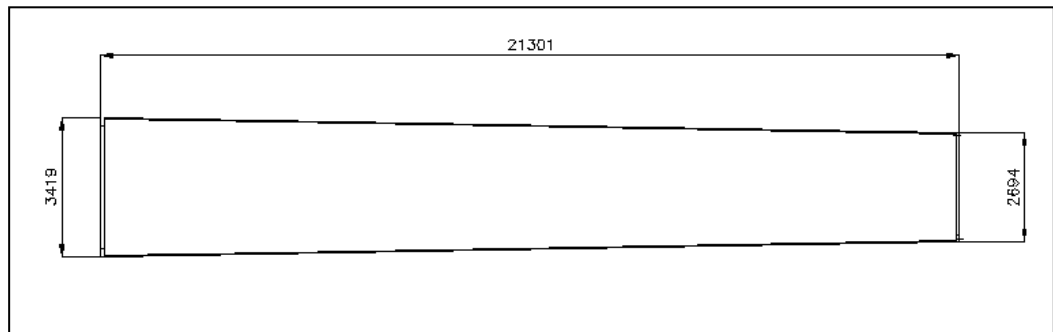
#### Bot. Sec.

Bottom flange:  $\varnothing 3960\text{mm}/155,9''$   
 Lower flange:  $\varnothing 3419\text{mm}/134,6''$   
 Length of sec.:  $15000\text{mm}/590,55''$   
 Weight of sec.:  $33.500\text{Kg}/73854,85\text{ lb}$   
 /36,93 short ton



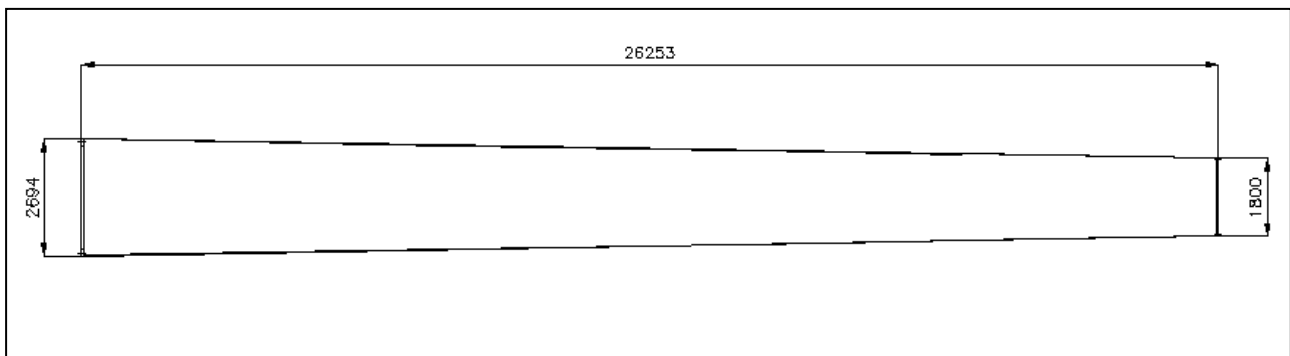
#### Mid. Sec.

Lower flange:  $\varnothing 3419\text{mm}/134,6''$   
 Mid flange:  $\varnothing 2694\text{mm}/106,06''$   
 Length of sec.:  $21301\text{mm}/838,62''$   
 Weight of sec.:  $29500\text{Kg}/65121,41\text{ lb}/32,52\text{ short ton}$



#### Top. Sec.

Mid flange:  $\varnothing 3419\text{mm}/134,61''$   
 Top flange:  $\varnothing 1800\text{mm}/70,87''$   
 Length of sec.:  $26253\text{mm}/1033,58''$   
 Weight of sec.:  $18000\text{Kg}/39683,2\text{ lb}/19,84\text{ short ton}$

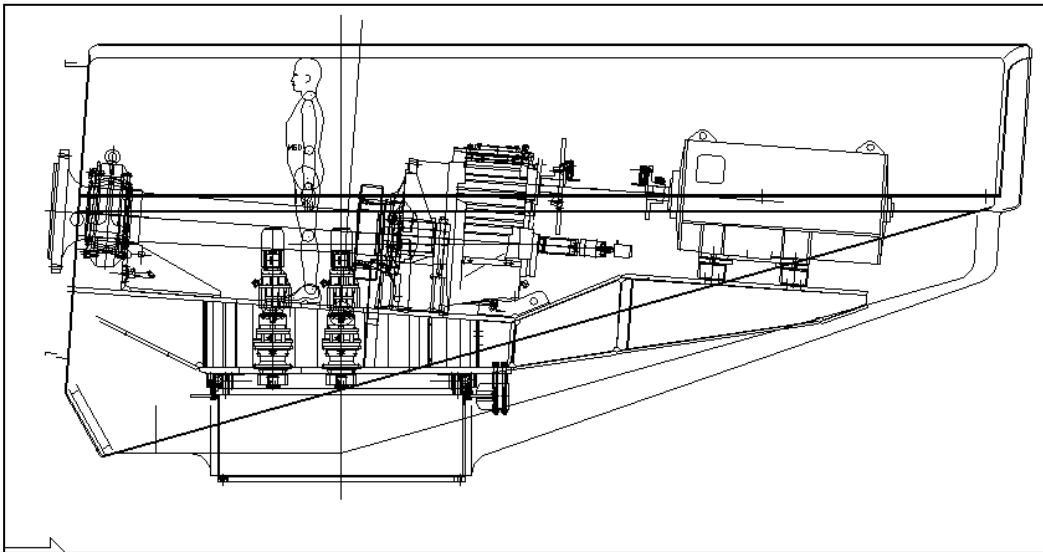


**Nacelle:**

The nacelle is mounted with main bearing, mainframe, main axle, gearbox, generator, top unit, yaw bearing, yaw drive and various. small parts.

Dimension on nacelle:

Width: 3000mm/118,11"  
Height: 3140mm/123,62"  
Length: 7100mm/279,53"  
Weight: 25000kg/27,56 short ton



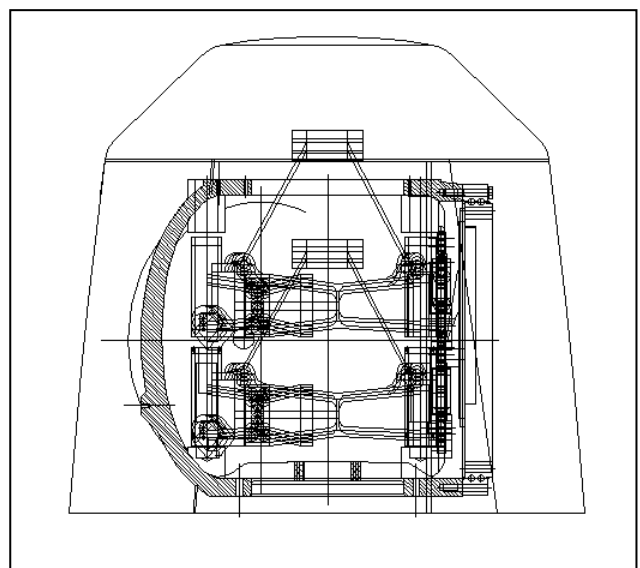
The nacelle is mounted on a transport rack

**Hub:**

The hub is mounted with blade bearings, pitch system and spinner.

Dimension on Hub:  
Diameter:  $\varnothing$ 2400mm/94,49"  
Height: 1600mm/62,99"  
Weight: ca.5000kg/ 5,51 short ton

The hub is also mounted on a transport rack.



**Blades:**

Blade type LM21.

The blades are transported as sets, which means 3 pcs.

Dimension on blades:

Length: 21000mm/826,77"

Weight: 2250kg/blade/2,48 short ton

**Hub extender:**

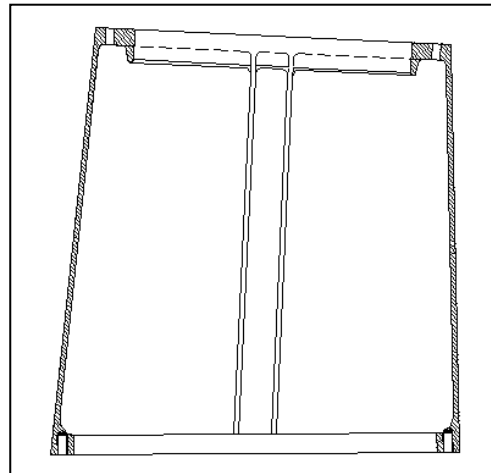
The hub extenders are also transported as set 3 pcs.

Dimension on Hub extenders:

Diameter:  $\varnothing$ 1300mm/51,18"

Height: 1350mm/53,15

Weight: 965kg/Extender/1,06 short ton



**Controller cupboard**

Weight for the controller cupboard is 500kg/0,55 short ton.

The dim. for the cupboard:     Height 2000mm/78,74"  
  Width 400mm/15,75"  
  Length 2000mm/78,74"

**Pipe extender**

Dim and weight for the pipe extender 3 pcs. per turbine:

Width (round):  $\varnothing$ 1054mm/41,50"

Height: 500mm/19,69"

Weight/extender: 323kg/712 lb

**Bolts, nuts, washers and mounting equipment:**

BNW (**B**olts, **N**uts and **W**ashers)

Calculate with 1000kg/1,10 short ton per turbine.

BNW is packed on 2 EUR pallets.

**Mounting equipment:**

Mounting equipment contains tools, lifting gear and various items.

Calculate with a 20ft container or truck per 2 turbines erected.